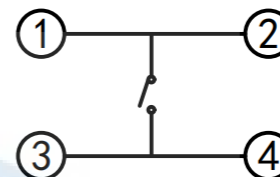
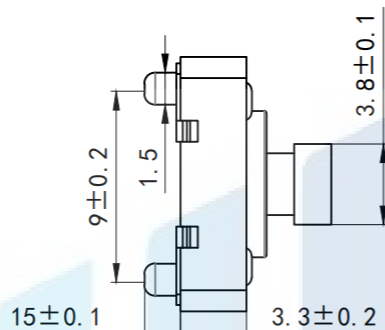
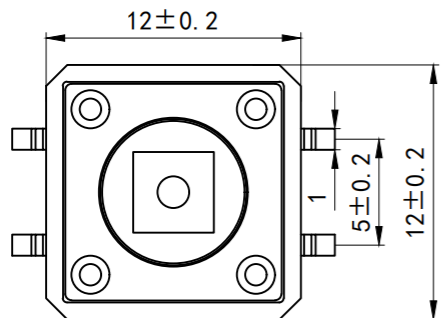
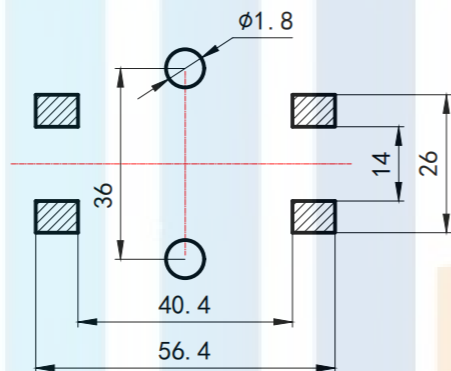
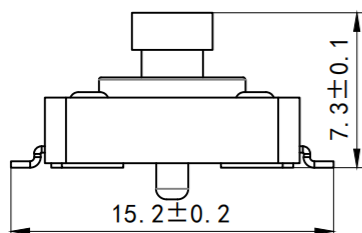
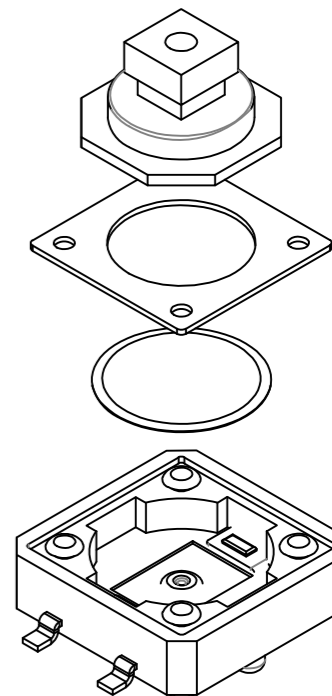


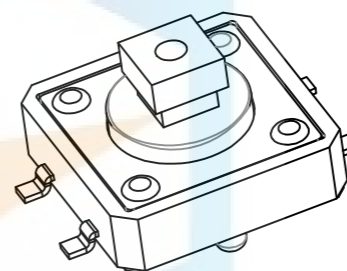
RoHS2.0
Compliant



电路图



PCB. 焊接图



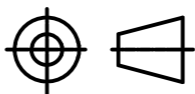
Main technical specifications:

1. Amount setting: 50mA DC12V
2. Contact resistance: $\leq 50\text{m}\Omega$
3. Operation force: $250 \pm 40\text{gf}$
4. Line length: $0.35 \pm 0.1\text{mm}$
5. Insulation resistance: $\geq 100\text{M}\Omega$
6. Electrical strength: 250V 50HZ 1Min.
7. Life span: 100,000 Cycles

TOLERANCE

| | |
|--------|-----------------|
| X. XXX | ± 0.05 |
| X. XX | ± 0.15 |
| X. X | ± 0.20 |
| X. | ± 0.30 |
| ANGLE | $\pm 5.0^\circ$ |

PROTECTON



东莞市恒祺电子科技有限公司

Dongguan Hengqi Electronic Technology Co., Ltd

<https://www.hq-dz.com>

phone: 15812872448

TITLE:

轻触开关 定位贴片

PART NO: HQ-TS-G006

DRAWING NO: 12*12*7.3方头

DRAWN:

DATE:

18-10-08

UNIT:
mm

CHECKED:

DATE:

18-10-08

SCALE:
FULL

APPROVED:

DATE:

18-10-08

SIZE:
A4